



## ML-R130-14 LED Range Light

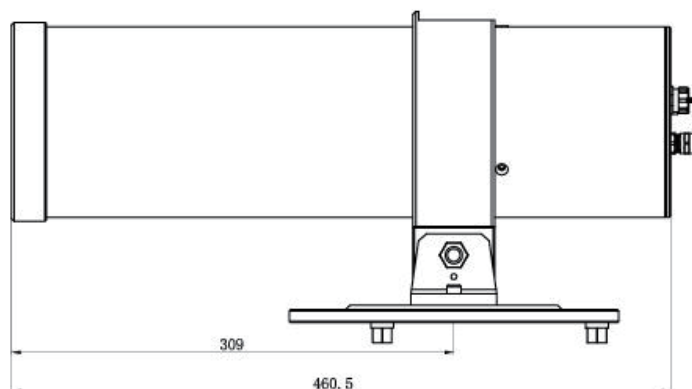
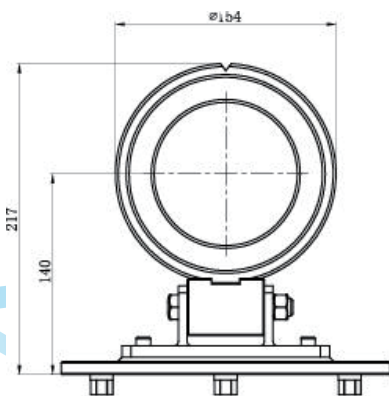
ML-R130-14 LED Range Light is a newly developed low power high intensity LED Range light upto 14nms (T=0.74).

### Features & Benefits

- Supper bright LED save energy
- Patent optic design insure high light efficiency
- Suit equip with solar power
- Computer chip control achieve high reliability
- Line controller set range and rhythm / No need to open lantern
- Pass EMC test
- Aluminum alloy base with special treatment suits marine environment
- Light weight and easy installation

### Specifications

- Light source: Supper bright high power LED
- Input voltage: DC12V (10~40V)
- Vertical / horizontal divergence:  
3°, 8° (150%) or as required
- Sun switch (option) : 250±50 lx
- Flash rhythm: 256 rhythms site selectable
- Idling current: ≤4mA
- Temperature: -35°C ~ +55°C
- Protection: IP66
- Dimension: L460mm/W23mm/H270mm
- Installation: 3 x m16 on 200mm bolt circle
- Angle adjust: Vertical 10°/ horizontal 20°
- Weight: 4kg



- ☆ Please indicate if GPS synchroflash, remote control etc needed.
- ☆ Product specifications can be changed without notice.